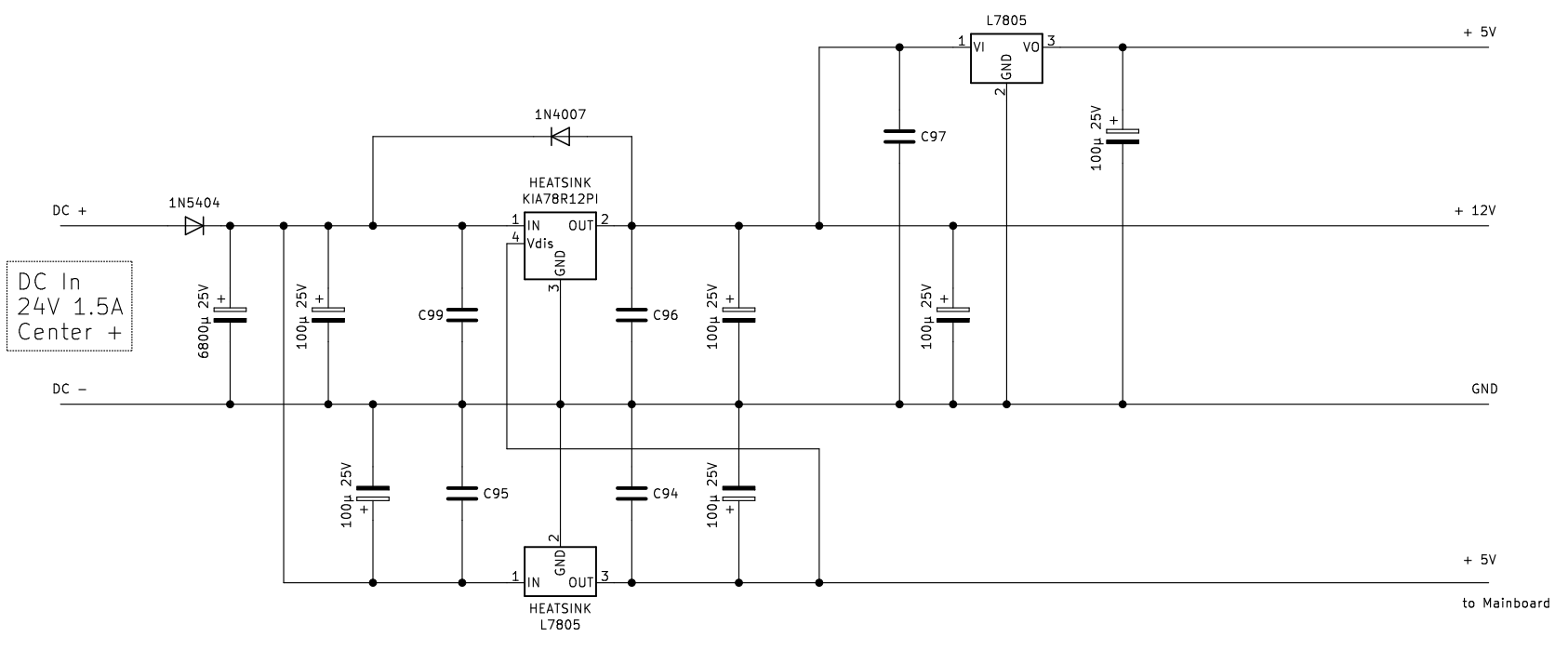


DC In
24V 1.5A
Center +



KORG concert EC150

Sheet: / PSU		Date:	
File: psu_korg_ec150.sch		u:labor quick redraw	
Title: KIP - 2081		Rev:	
Size: A4	KiCad E.D.A. eeschema (5.1.4-0)		Id: 1/1